


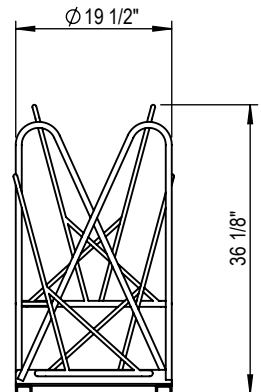
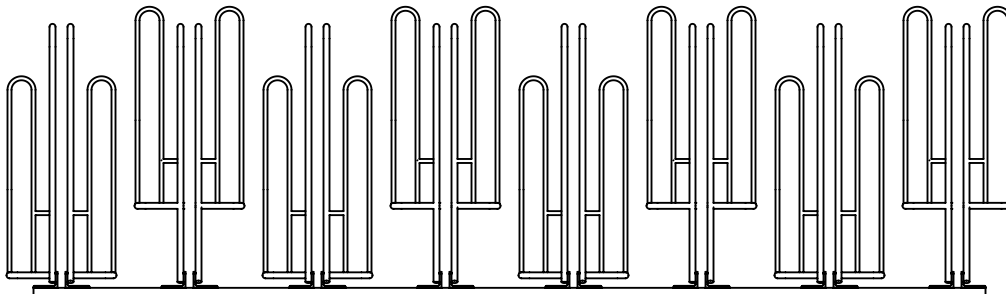
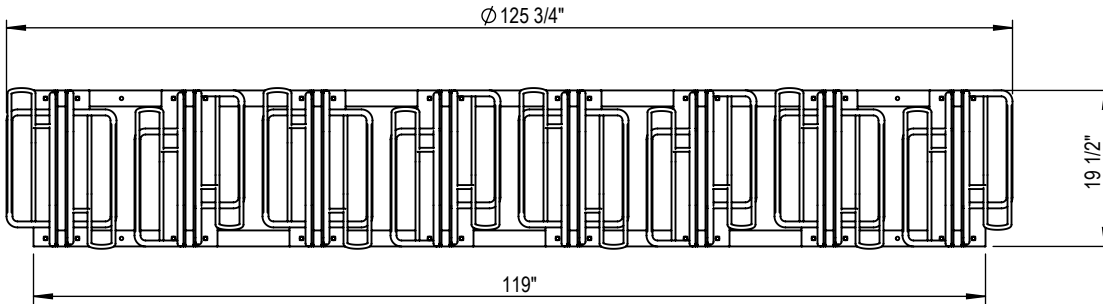
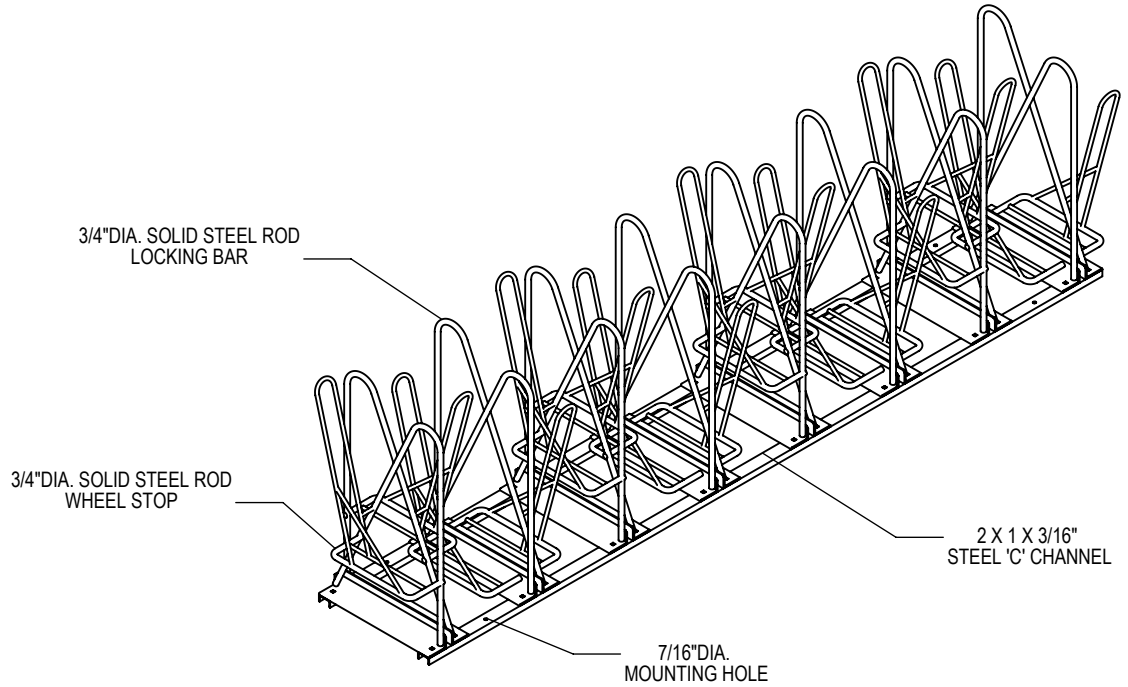
Double side duckbill racks shall be placed so that bicycles in the end spaces are parked on alternate sides.

Leave 6" between edge of bike rack and any object that would obstruct wheel such as a retaining wall or building.

Notes:

1. See UW-Madison Technical Guidelines, Division 12 93 13 Bike Racks, for more information regarding campus standards for bike racks.

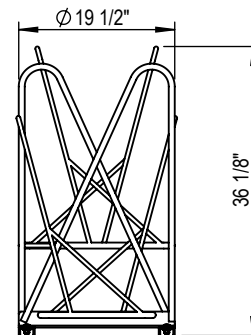
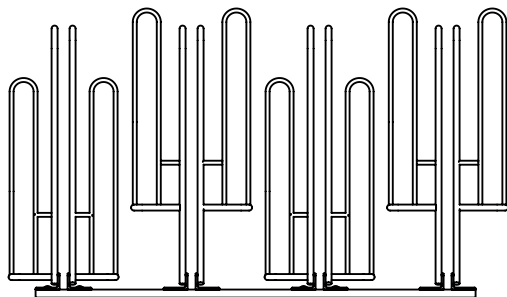
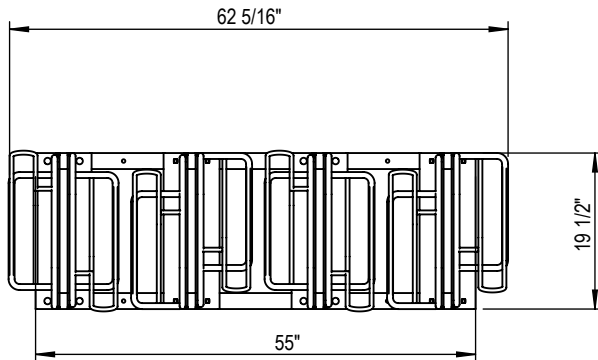
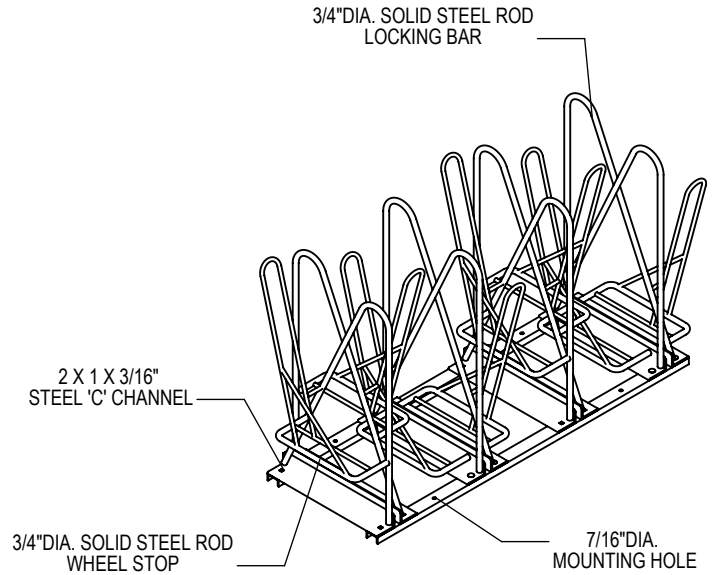
 WISCONSIN MADISON	Project: REGENT BIKE RACK LAYOUT		Designed By: CS	Date: 1-23-2013	
	Drawing Title: LAYOUT STANDARDS		Drawn By: JTW/JLB	Scale: 1" = 5' - 0"	
	Building No.: N/A		Revision:	Date:	Sheet: L-1
	File: L:\ACAD\PLANNING\Details, Title Blocks, Blocks\Details\Bicycle Racks\REGENT BIKERACK LAYOUT.dwg		FACILITIES PLANNING AND MANAGEMENT Campus Planning & Landscape Architecture		Suite 930 WARF 610 Walnut Street Madison, Wisconsin 53726 Of: 1



PRODUCT: RGT-16-DBL
DESCRIPTION: REGENT BIKE RACK
16 BIKE, DOUBLE SIDED (PARK BOTH SIDES)
DATE: 11/13/12
ENG: BLW

CONFIDENTIAL DRAWING AND INFORMATION IS NOT TO BE COPIED OR DISCLOSED TO OTHERS WITHOUT THE CONSENT OF GRABER MANUFACTURING, INC. SPECIFICATIONS ARE SUBJECT TO CHANGE WITHOUT NOTICE.

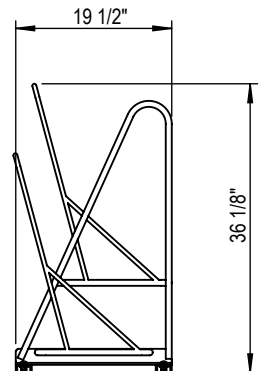
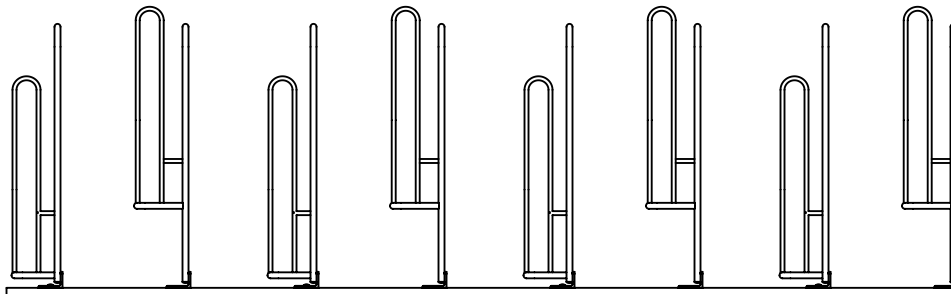
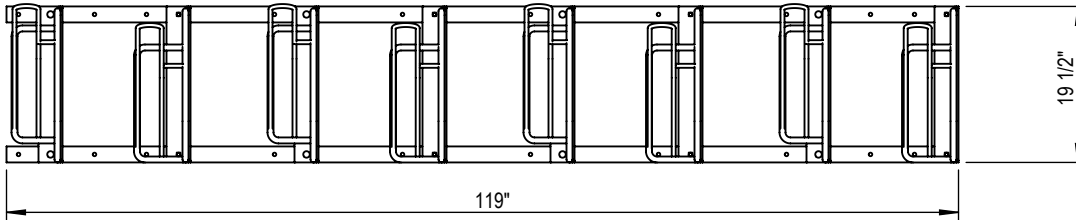
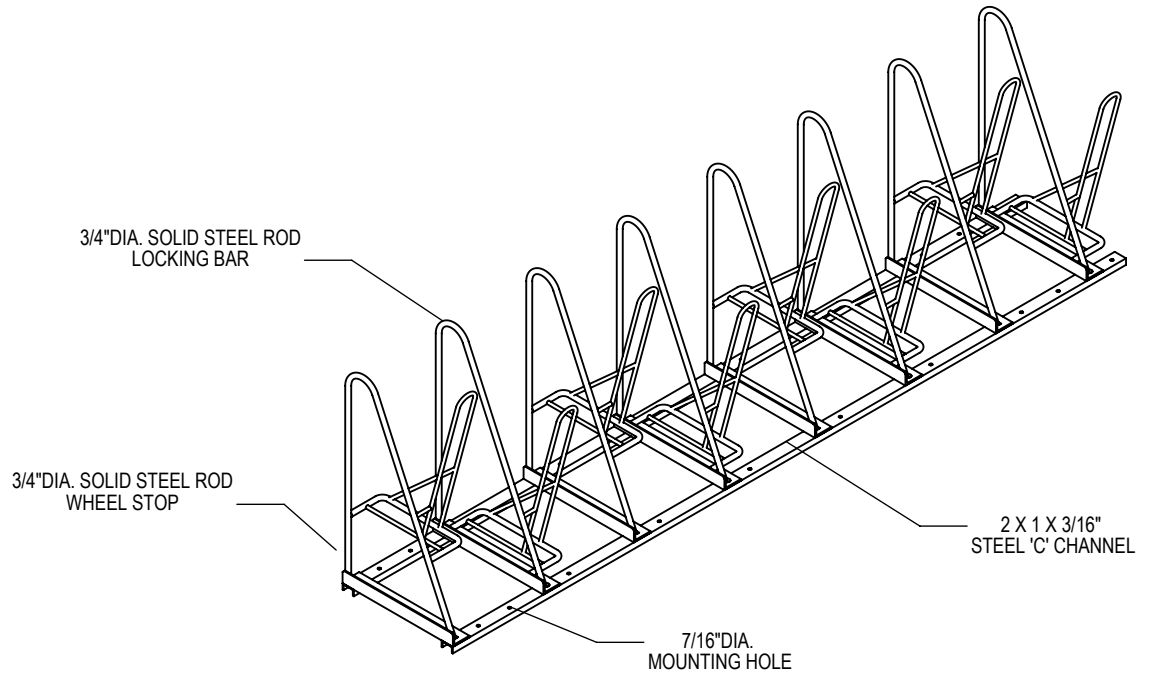
- NOTES:
1. INSTALL BIKE RACKS ACCORDING TO MANUFACTURER'S SPECIFICATIONS.
 2. CONSULTANT TO SELECT COLOR(FINISH), SEE MANUFACTURER'S SPECIFICATIONS.
 3. SEE SITE PLAN FOR LOCATION OR CONSULT OWNER.



PRODUCT: RGT-8-DBL
DESCRIPTION: REGENT BIKE RACK
8 BIKE, DOUBLE SIDED (PARK BOTH SIDES)
DATE: 11/13/12
ENG: BLW

CONFIDENTIAL DRAWING AND INFORMATION IS NOT TO BE COPIED OR DISCLOSED TO OTHERS WITHOUT THE CONSENT OF GRABER MANUFACTURING, INC., FORMERLY TRILARY, INC. SPECIFICATIONS ARE SUBJECT TO CHANGE WITHOUT NOTICE.

- NOTES:
1. INSTALL BIKE RACKS ACCORDING TO MANUFACTURER'S SPECIFICATIONS.
 2. CONSULTANT TO SELECT COLOR(FINISH), SEE MANUFACTURER'S SPECIFICATIONS.
 3. SEE SITE PLAN FOR LOCATION OR CONSULT OWNER.



PRODUCT: RGT-8-SNG
DESCRIPTION: REGENT BIKE RACK
8 BIKE, SINGLE SIDED (PARK ONE SIDE)
DATE: 11/13/12
ENG: BLW

CONFIDENTIAL DRAWING AND INFORMATION IS NOT TO BE COPIED OR DISCLOSED TO OTHERS WITHOUT THE CONSENT OF GRABER MANUFACTURING, INC. SPECIFICATIONS ARE SUBJECT TO CHANGE WITHOUT NOTICE.

- NOTES:
1. INSTALL BIKE RACKS ACCORDING TO MANUFACTURER'S SPECIFICATIONS.
 2. CONSULTANT TO SELECT COLOR(FINISH), SEE MANUFACTURER'S SPECIFICATIONS.
 3. SEE SITE PLAN FOR LOCATION OR CONSULT OWNER.