

METAL BARREL VAULT ROOF,
BLACK TINT

TWO 1/8" THICK PIECES OF
GLASS WITH LAMINATE IN
BETWEEN FOR A TOTAL
WIDTH OF 1/4". NO TINTING
OR ANTI-GRAFFITI.

ALUMINUM FRAMEWORK,
BLACK ANODIZED

LETTERING, CUT OUT FROM
METAL SHEET,
FRITZ QUADRATA BT
FONT, TYP.

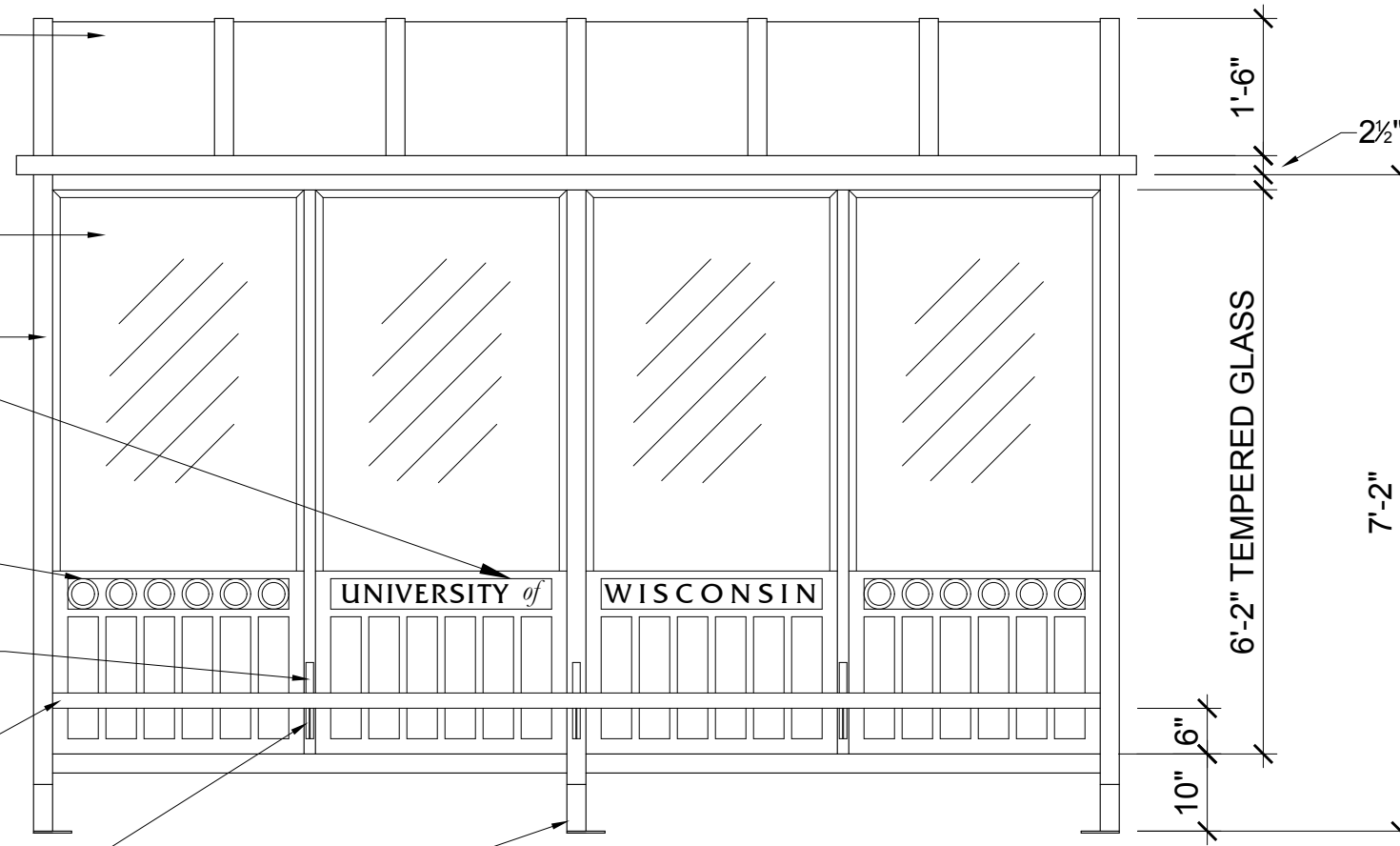
ALUMINUM GRILLWORK,
BLACK ANODIZED

ALUMINUM ARMREST,
BLACK ANODIZED, TYP.

BACKLESS WOOD BENCH,
WALL-MOUNTED

BRACKET FOR WALL- MOUNTED
BENCH, BLACK, TYP.

ANCHOR BRACKET,
BLACK, TYP.

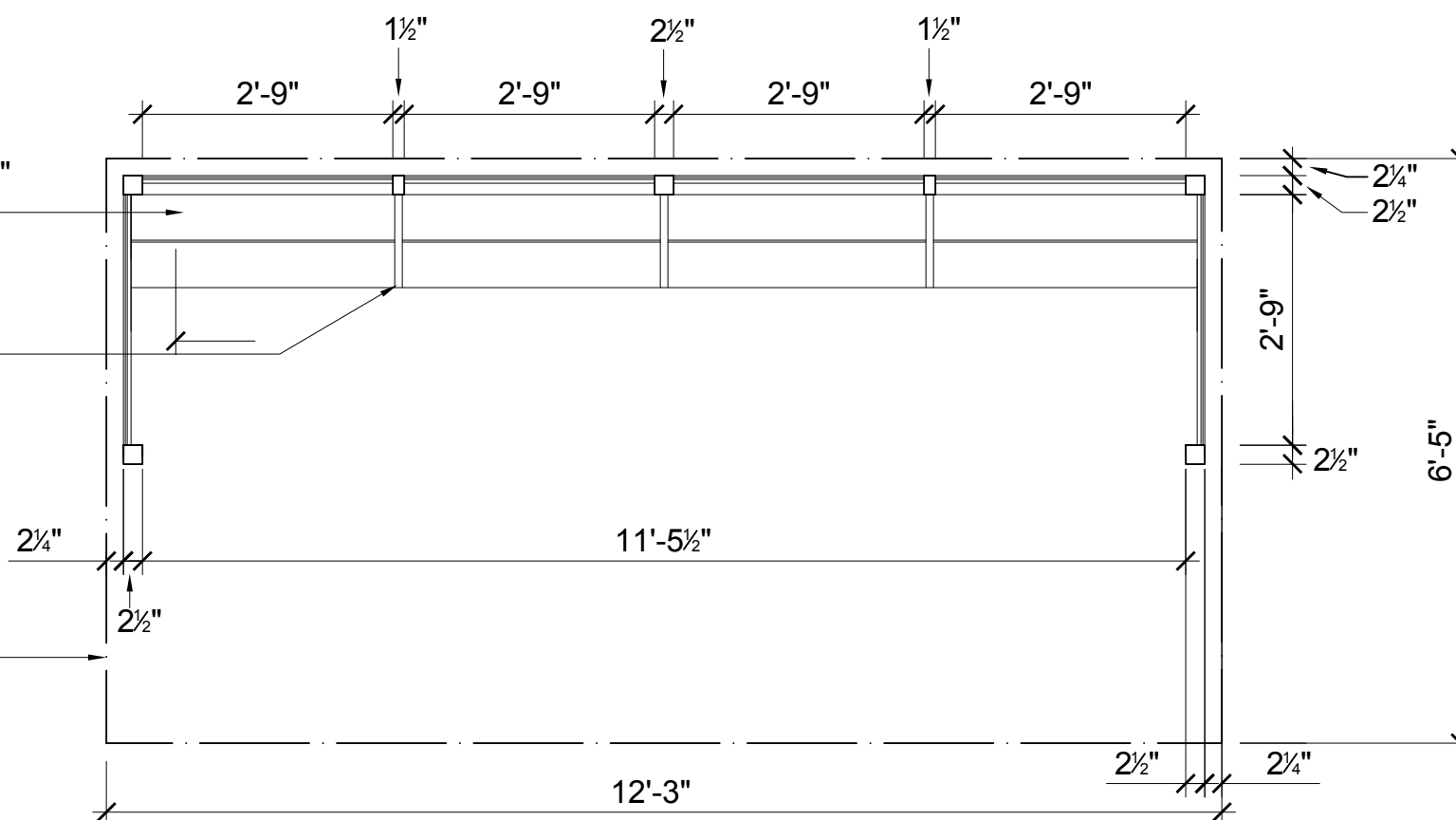


**FRONT
ELEVATION**

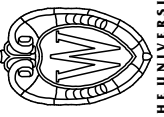
BACKLESS WOOD BENCH,
WALL-MOUNTED, TWO 2"x6"
BOARDS

ALUMINUM ARMREST,
BLACK ANODIZED, TYP.

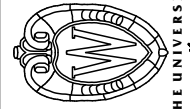
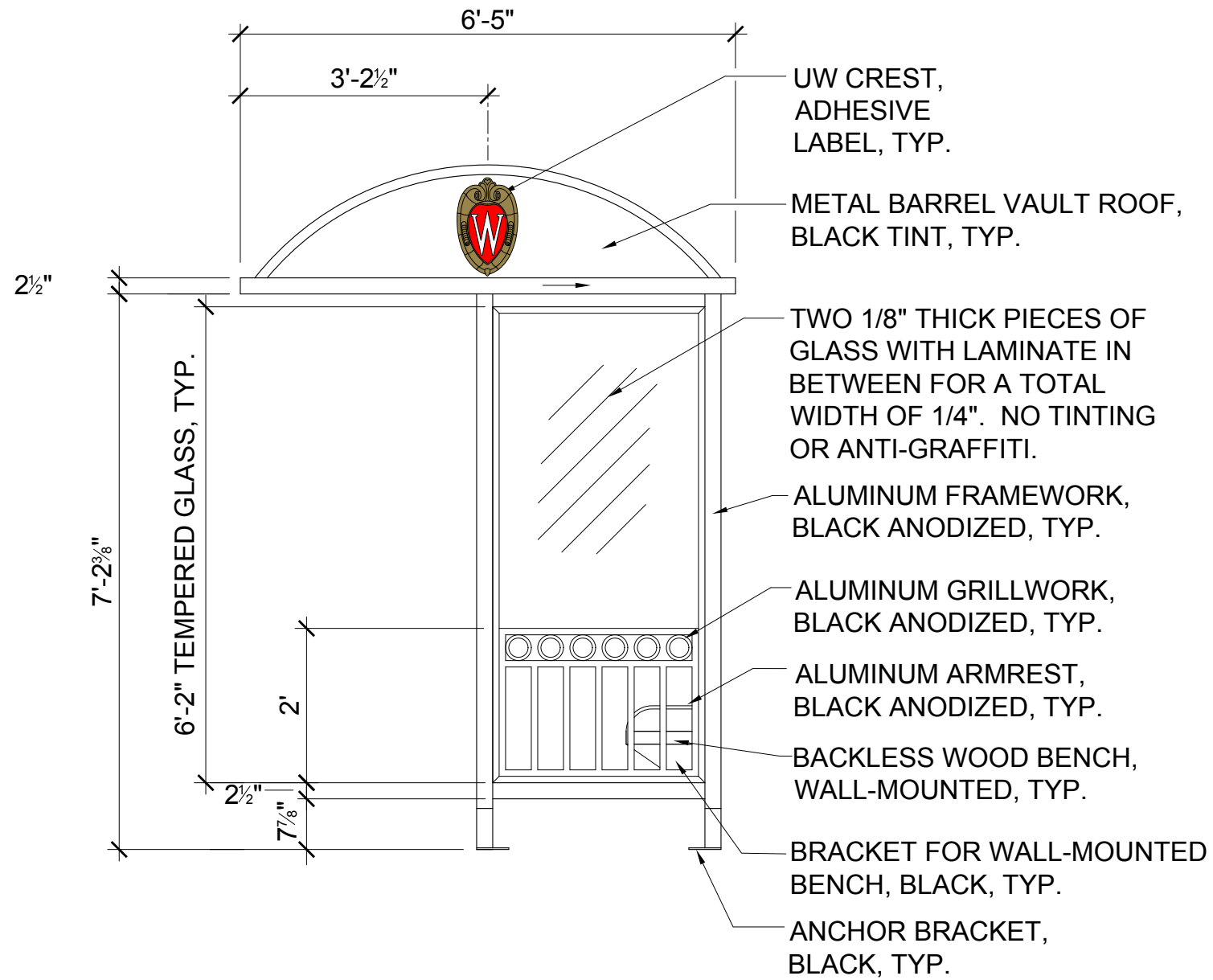
ROOF



PLAN VIEW

 WISCONSIN <small>THE UNIVERSITY MADISON</small>	
FACILITIES PLANNING AND MANAGEMENT Campus Planning & Landscape Architecture	
Suite 930 WARF 610 Walnut Street Madison, Wisconsin 53726	
MEMORIAL UNION BUS SHELTER	MEMORIAL UNION BUS SHELTER DETAIL SET (BASED ON CAMPUS STANDARD DETAIL)
Project:	Drawing Title:
Date: 10-12-2012	Building No.: 0008
Designed By: GB	Drawn By: ZJS
Revision No.	Date
O.S.M. No.	Date
Scale: $\frac{1}{2}'' = 1'-0''$	
Sheet: L-1	
Of: 3	

SIDE ELEVATION (OPTION B)



THE UNIVERSITY
WISCONSIN
MADISON

FACILITIES PLANNING AND MANAGEMENT
Campus Planning & Landscape Architecture

Suite 930 WARF
610 Walnut Street
Madison, Wisconsin 53726

Project: **MEMORIAL UNION BUS SHELTER**
Drawing Title: **BUS SHELTER DETAIL SET (BASED ON CAMPUS STANDARD DETAIL)**
File Location: L:\ACAD\PLANNING\Buildings\0008\Memorial Union Bus Stop\Memorial Union Bus Shelter.dwg

Date: 10-12-2012 Building No.: 0008

Designed By: GB Drawn By: ZJS

Revision No.	Date	By
O.S.M. No.	Date	By

Scale: ½" = 1'-0"

Sheet:
L-2
Of: 3

ALUMINUM FRAMEWORK,
BLACK ANODIZED, TYP.

BRACKET FOR WALL-
MOUNTED BENCH, TYP.

TWO 1/8" THICK PIECES OF
GLASS WITH LAMINATE IN
BETWEEN FOR A TOTAL
WIDTH OF 1/4". NO TINTING
OR ANTI-GRAFFITI.

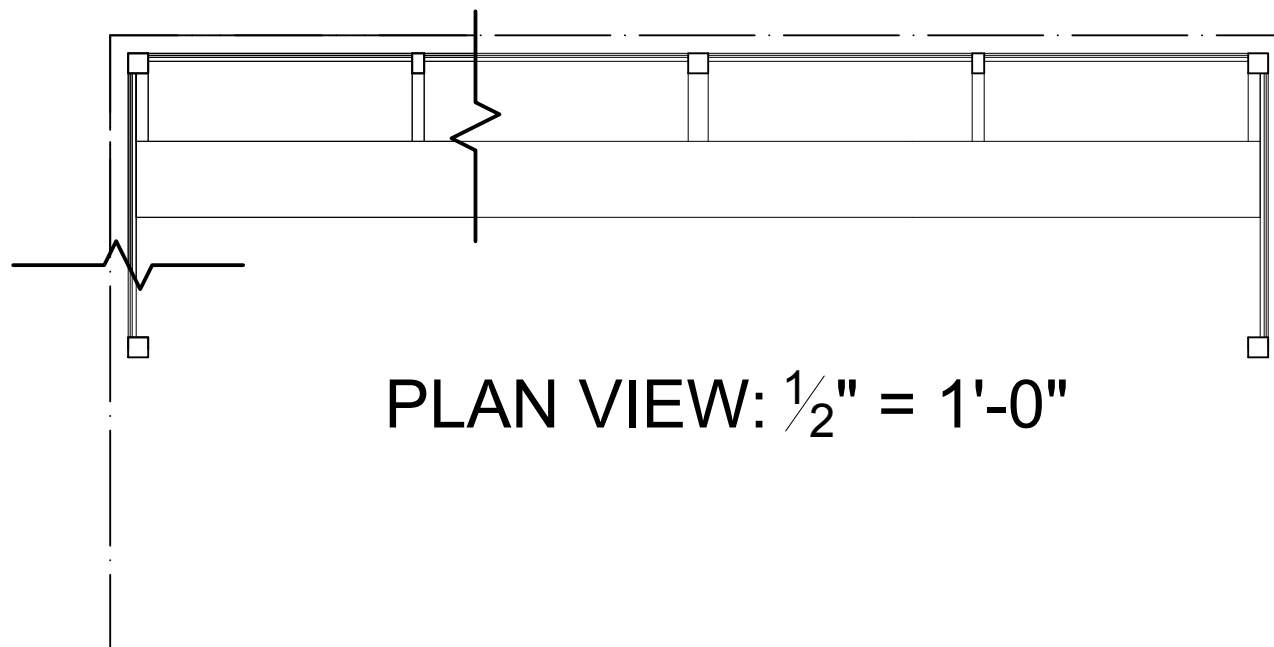
ALUMINUM GRILLWORK,
BLACK ANODIZED,
1/2" THICK, TYP.

1/4" GAP BETWEEN GLASS
AND GRILLWORK

ROOF

BACKLESS WOOD BENCH

PLAN VIEW ENLARGEMENT: 2" = 1'-0"



THE UNIVERSITY
WISCONSIN
MADISON

FACILITIES PLANNING AND MANAGEMENT
Campus Planning & Landscape Architecture

Suite 930 WARF
610 Walnut Street
Madison, Wisconsin 53726

Project:
**MEMORIAL UNION
BUS SHELTER**

Drawing Title:
**BUS SHELTER DETAIL SET
(BASED ON CAMPUS STANDARD DETAIL)**

File Location:
L:\ACAD\PLANNING\Buildings\0008\Memorial Union Bus Shelter.dwg

Date:
10-12-2012

Building No.:
0008

Designed By:
GB

Drawn By:
ZJS

Revision No.	Date	By
O.S.M. No.	Date	By

Scale:

Sheet:

L-3

Of: 3